

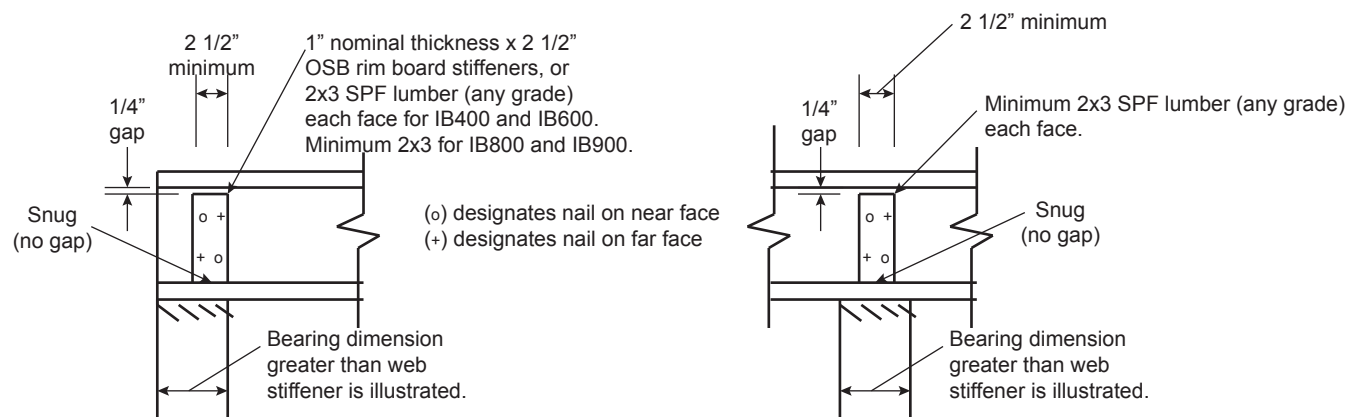
Technical Bulletin (TB-IJ-17)

Subject: Web Stiffener Requirements for IB I-Joists

July 2015 (Updated May 2018)

This detail is intended for use with International Beams Inc. products and includes information that may not be covered in our IB literature. Appropriateness of details for a specific project should be evaluated by a qualified designer. This detail may be periodically updated. Check with International Beams to ensure that you have the most recent version.

The IB (International Beams) I-Joist Design Manuals and Installation Guides illustrate web stiffener installation requirements for up to 16" deep IB I-Joists. This covers the vast majority of I-joist depths being used in residential (and some commercial) construction. See these documents for a detailed discussion of this topic and information on why and when web stiffeners are required. The following details include additional information and requirements.



End Bearing Stiffener Requirements All IB IJoist Series up to 16" Deep

Not to Scale
 Illustration is for up to 16" depth

Interior Bearing Stiffener Requirements All IB IJoist Series up to 16" Deep

Not to Scale
 Illustration is for up to 16" depth

Notes for IB400 and IB600:

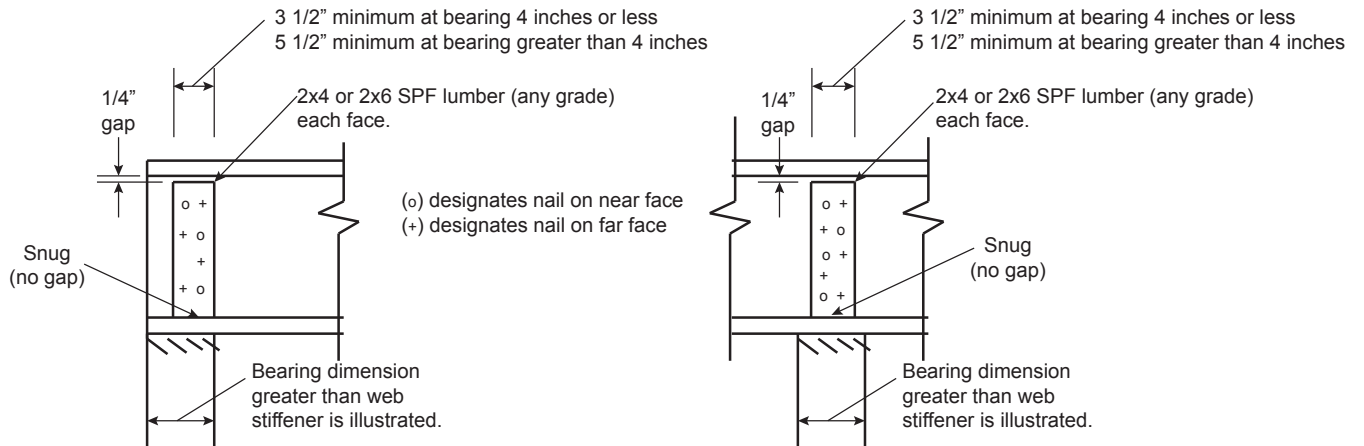
- 1) Minimum four nails required for up to 16" depth I-joist.
- 2) Minimum 0.113" diameter x 2 1/2" long nails required at 1" nominal stiffeners for IB400 and IB600 (2x3 flanges). Increase length to minimum 3" for 2x lumber stiffeners. Minimum 0.120" diameter x 3" long for 2x lumber stiffeners required for IB800 and IB900 (2x4 flanges).
- 3) Clinch nails on back face for longer nails where possible.

For deeper depth IB I-Joists (18" to 24" deep) larger web stiffeners, and additional and larger nails are required. For these deeper depth I-Joists, follow the illustrations, notes, and tables on the following page of this technical document.

Technical Bulletin (TB-IJ-17)

Subject: Web Stiffener Requirements for IB I-Joists

July 2015 (Updated May 2018)



End Bearing Stiffener Requirements 2x4 flange I-joists (IB800 & IB900) 18 to 24" Deep

Not to Scale

Illustration is for 18" depth I-Joist

(Quantity of nails required increases with increased depth)

Interior Bearing Stiffener Requirements 2x4 flange I-joists (IB800 & IB900) 18 to 24" Deep

Not to Scale

Illustration is for 18" depth I-Joist

(Quantity of nails required increases with increased depth)

Notes for IB800 and IB900:

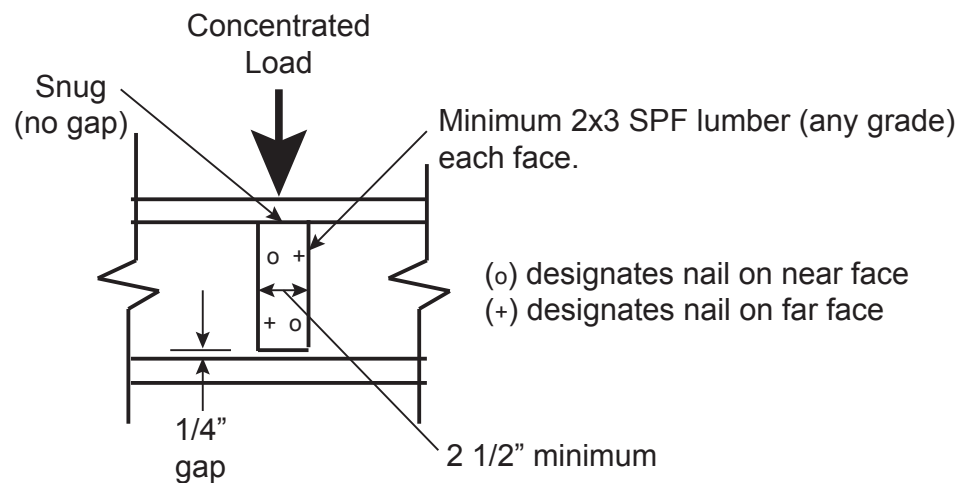
- 1) Minimum nail size: 0.120" diameter x 3" long.
- 2) Minimum quantity of nails required is as follows:

I-Joist Series	I-Joist Depth (inches)	End Bearing (no. of nails)	Interior Bearing (no. of nails)
IB800 & IB900	18	7	9
IB800 & IB900	20	8	11
IB900	20	10	13
IB900	24	11	15

Technical Bulletin (TB-IJ-17)

Subject: Web Stiffener Requirements for IB I-Joists

July 2015 (Updated May 2018)



Concentrated Load Stiffener Requirements **All IB IJoist Series** Not to Scale

Notes:

- 1) Minimum four nails required for up to 16" depth I-joist. More nails are recommended for deeper depths.
- 2) Minimum 0.113" diameter x 3" long nails required for IB400 and IB600 (2x3 flanges).
Minimum 0.120" diameter x 3" long nails required for IB800 and IB900 (2x4 flanges).