

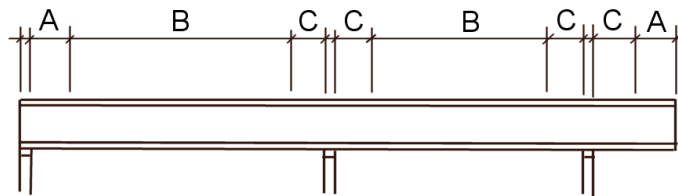
Technical Bulletin (TB-IJ-14)

Subject: Notches and Damage to Flanges of IB I-joists

May 2014 (Updated June 2017)

This technical bulletin is intended for use with International Beams Inc. products and offers general guidelines for topics that may not be covered in our literature. Appropriateness of details for a specific project should be evaluated by a qualified designer. This technical bulletin may be periodically updated. Check internationalbeams.com to ensure that you have the most recent version.

Field notching of I-joists is a practice that is to be discouraged because it can weaken the I-joist, making it unsafe and voiding the product warranty. IB literature states that notching of flanges is forbidden. In a perfect world, I-joist flanges would remain in pristine condition with no flange damage due to handling or notching. In the real world, I-joists are crushed at corners when banded with steel straps, lifted with forklifts, accidentally sawn, and yes, they are frequently notched by plumbers and electricians. Although all of these damage conditions are preventable, things happen. If the damage to the flange is small, the I-joist strength is not significantly reduced. For the conditions and limits indicated below and on the following page, no repair or reinforcement of the I-joist is required. These limits apply to all IB I-joist series (IB400, IB600, IB800, IB900).



Key to Damage Locations
(not to scale)

Notes:

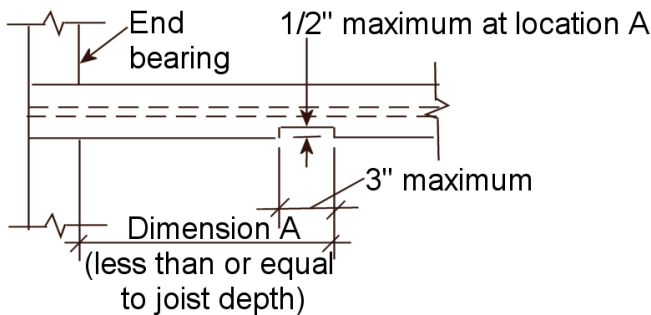
- 1) See details for slight damage permitted at locations A and B. Dimension A shall be less than or equal to the joist depth. Dimension C shall be greater than or equal to the joist depth. Damage at location C and at bearing locations is beyond the scope of this document.
- 2) Except for corner notches, these details are intended to apply only to damage at the top flange.
- 3) Maximum two damages per joist and minimum 24" between damaged locations.

Any damage condition that exceeds the limits indicated above requires an engineering analysis.

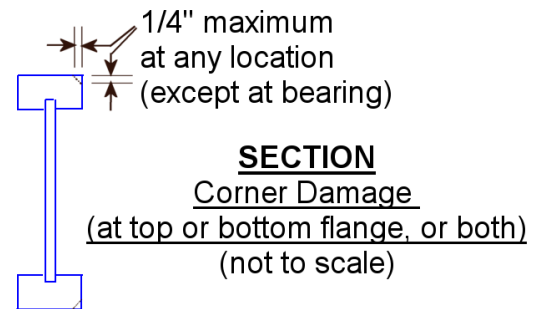
Technical Bulletin (TB-IJ-14)

Subject: Notches and Damage to Flanges of IB I-joists

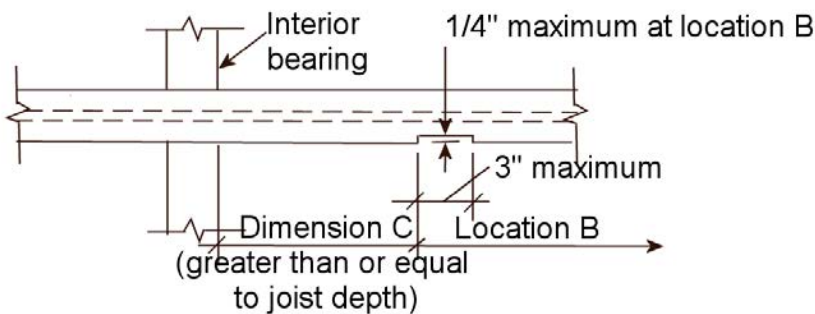
May 2014 (Updated June 2017)



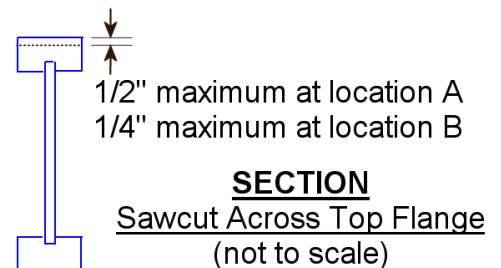
DETAIL PLAN
Damage Near End of Joist
 (at location A)
 (not to scale)



SECTION
Corner Damage
 (at top or bottom flange, or both)
 (not to scale)



DETAIL PLAN
Damage at Interior of Joist
 (at location B)
 (not to scale)



SECTION
Sawcut Across Top Flange
 (not to scale)

Any damage condition that exceeds the limits indicated above requires an engineering analysis.