

Technical Bulletin (TB-IJ-9)

Subject: 2-ply IB I-Joist Details (2x4 Flanges)

July 2013 (Updated June 2017)

This technical bulletin is intended for use with International Beams Inc. products and offers general guidelines for topics that may not be covered in our literature. Appropriateness of details for a specific project should be evaluated by a qualified designer. This technical bulletin may be periodically updated. Check internationalbeams.com to ensure that you have the most recent version.

IB I-JOIST SERIES	I-JOIST DEPTH (inches)	FILLER BLOCK COMBINATIONS
IB800	9 1/2	(2) 2x8 ripped to 6" depth
IB800 & IB900	11 7/8	(2) 2x10 ripped to 8" depth
	14	(2) 2x12 ripped to 10 3/4" depth
	16	(2) 2x10 + (2) 2x4
	18	(2) 2x10 + (2) 2x6
	20	(2) 2x12 + (2) 2x6
IB900	22	(2) 2x12 + (2) 2x8
	24	(2) 2x12 + (2) 2x10

Notes:

- 1) Nail thru I-joist web and filler blocks with (3) rows of 10d nails at 12" o.c. Repeat nailing on opposite face, offsetting nails by 6". Double 20" IB800/900 is illustrated. Staggered filler block assembly is similar for other I-joist depths.
- 2) Structural wood panels, combined to achieve approximately 3 1/8" total thickness, may also be used as filler. Panel filler should be cut to a depth equal to the I-joist depth minus 3 1/4".

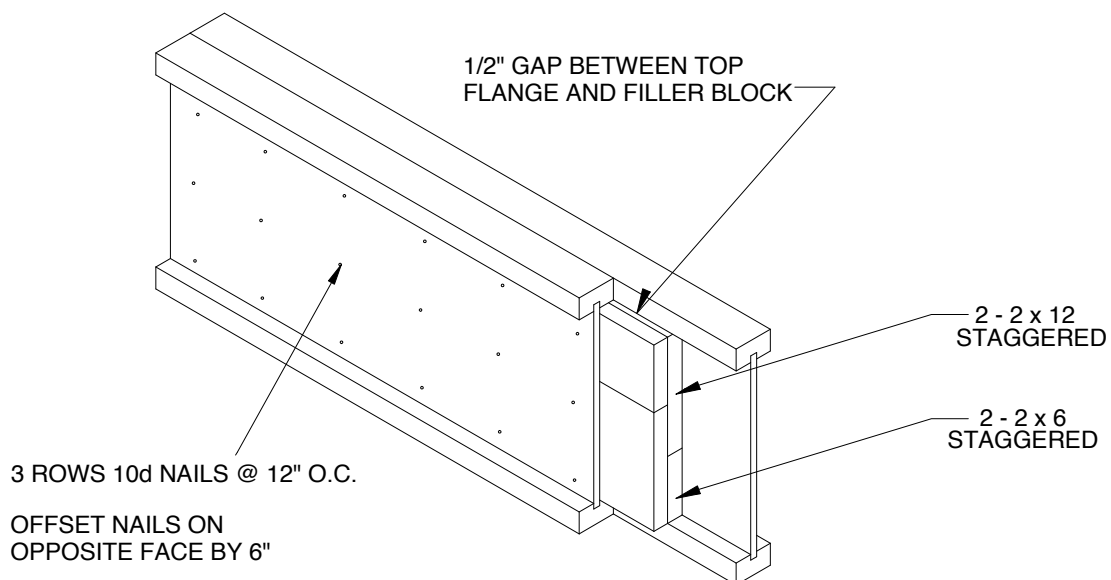


ILLUSTRATION: 2-PLY 20" IB800/900